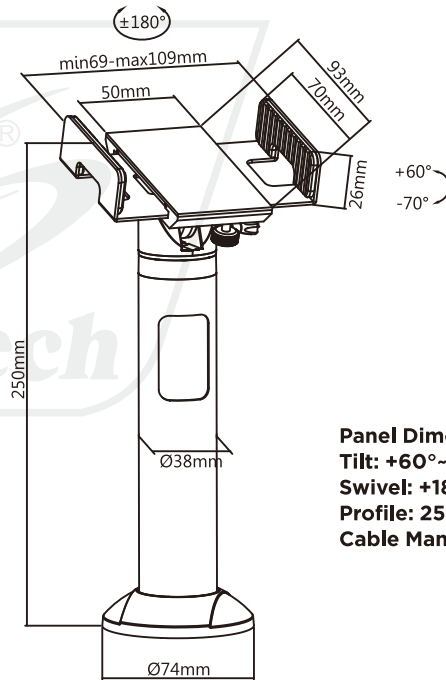


SH 004PS

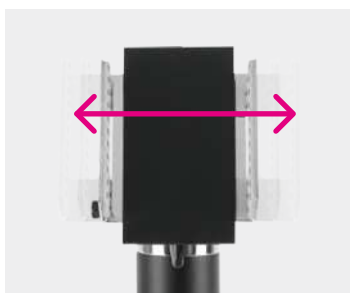
Universal Credit Card Terminal Stand



EVERY ANGLE FOR EVERY TRANSACTION



Panel Dimensions: 93x109mm
Tilt: +60°--70°
Swivel: +180°--180°
Profile: 250mm
Cable Management: Yes



Width Adjustment
accommodates most POS terminal units.



Locking Tilt
stable and accessible during transactions.



360° Rotation
offers more convenient operation.



Cable Management
minimizes cable damage.